

VT100 BODY-WORN CAMERA

The VT100 delivers a customizable and fully integrated enterprise mobile video solution.



GENERAL INFORMATION

Typical Usage	Enterprise managed incident recorder for personal and site security
Management Software	Requires VideoManager Licence or Cloud Service
Warranty	1 year return-to-manufacturer warranty For support relating to VideoManager, Software Assurance is required

SIZE AND WEIGHT

Dimensions	3.1 x 2.0 x 0.9 in (80 x 51 x 22 mm)
Weight	2.54 oz (72 g)

BATTERY

Battery	Integral, not user serviceable
Battery Type	Lithium-ion
Battery Recharging Times	Typically recharges in less than 5 hours
Battery in Recording Mode	Up to 3 hours of recording, or up to 1.5 hours of live streaming & recording
Battery capacity in standby	6 months
Battery Overcharge Protection	VT100 has overcharge protection so cannot be overcharged and can be left in docking station

AUDIO

Audio Capture	Yes
---------------	-----

CAMERA

Buttons	Two buttons on back, either of which can be used to start and stop recording
Lens Capture Angle	130 degree field of view

CAMERA FEATURES

Memory Capacity	16GB
Recording Status User Notification	Haptic and visual feedback
Storage Media Access	Sealed unit with no user access to storage media
Front Display Message	Display ID card with message/logo

VIDEO AND RECORDING

Video Recording Format	H.264
Resolution	1280 x 720 HD
Frame Rate	30 frames per second
Recording Storage Capacity	16GB

APPROVALS AND ENVIRONMENTAL

Ingress Protection	IP54
Environmental Temperature Operational Rating	Operating: -4 to +104 °F (-20 to +40 °C) Charging: +32 to +77 °F (0 to +25 °C)

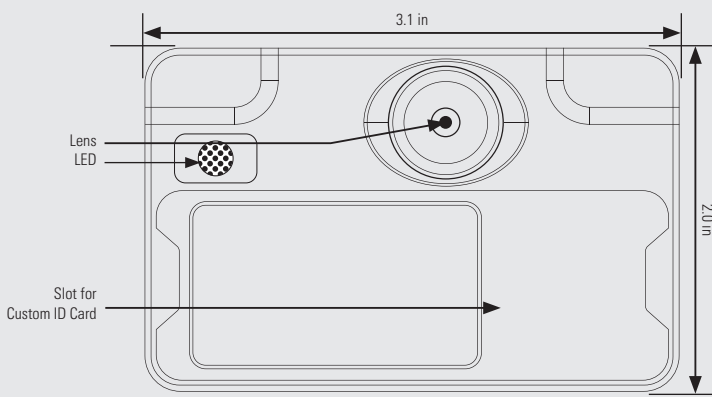
WI-FI® FEATURES

Wi-Fi Specifications	802.11 b/g/n (2.4GHz WiFi)
Wi-Fi Security	WPA2-PSK
Wi-Fi Streaming	640x360 30fps Compatible with ONStream

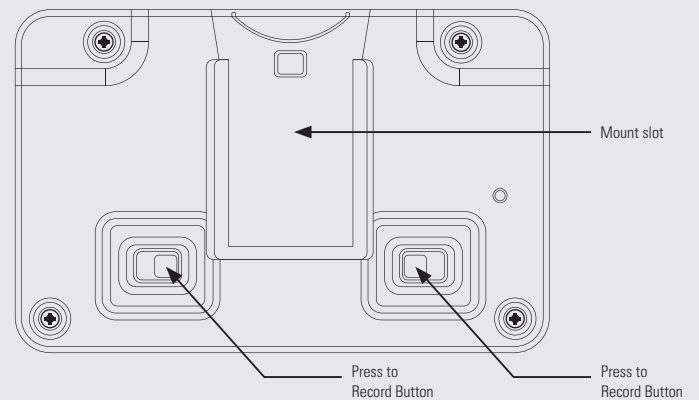
SECURITY

Network Data Security on USB Storage Media	VT100 does not appear as a USB storage device, and cannot receive files while connected to a Wi-Fi network
Audit Trail	Usage, operations and recording details all audit-logged and indexed
Recordings View, Copy and Deletion Ability	The VT100 wearer cannot access, view or delete any recordings directly from the device, or camera without appropriate authorization
Storage Media Access	Sealed unit with no user access to storage media

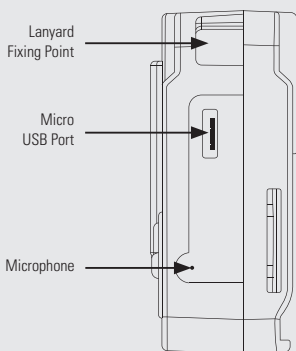
View on Front Face



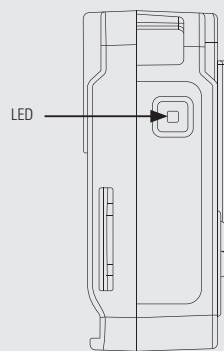
View on Back Face



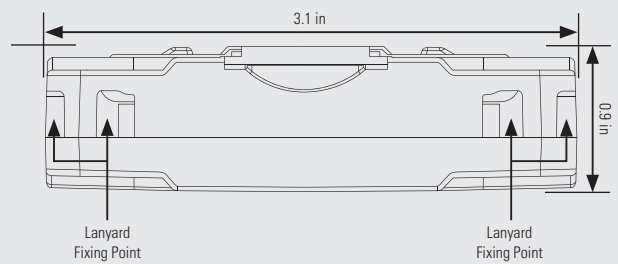
View on Left Side Face



View on Right Side Face



View on Top Face



Motorola Solutions, Inc. 500 West Monroe Street, Chicago, IL 60661, U.S.A. 800-367-2346

Availability is subject to individual country law and regulations. All specifications shown are typical unless otherwise stated and are subject to change without notice. MOTOROLA, MOTO, MOTOROLA SOLUTIONS and the Stylized M Logo are trademarks or registered trademarks of Motorola Trademark Holdings, LLC and are used under license. All other trademarks are the property of their respective owners.
© 2020 Motorola Solutions, Inc. All rights reserved. (04/20) (ED-002-023-06-US-BA)